

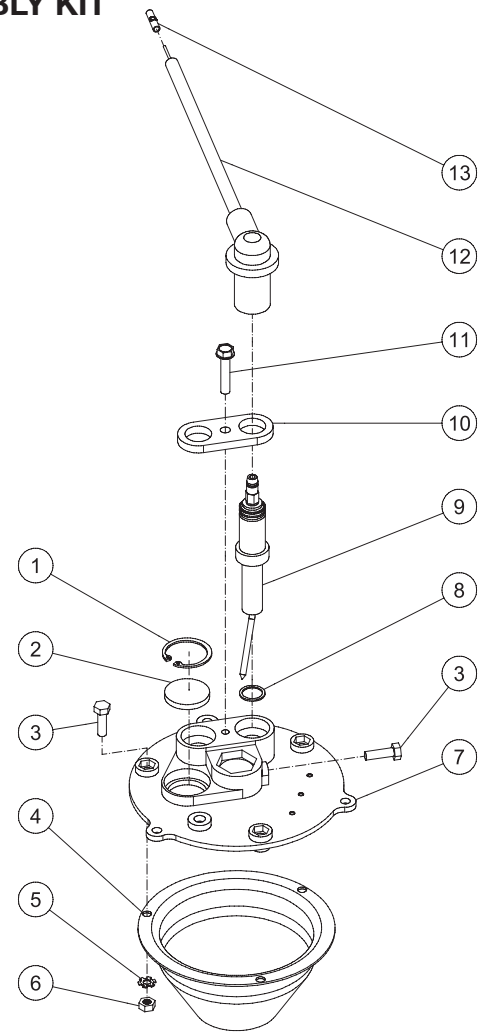


## ELECTRODE ASSEMBLY KIT

850-0351-031109-CH

850-0351

ITEM	DESCRIPTION	Mi-T-M #	QTY
1	SNAP RING	33-0254	1
2	SIGHT GLASS	33-0252	1
3	BOLT	27-8878	4
4	CONE	20-0373	1
5	STAR WASHER	28-1009	3
6	NUT	30-6001	3
7	ELECTRODE PLATE	38-0065	1
8	WASHER	28-0523	2
9	ELECTRODE	32-0987	2
10	ELECTRODE BRACKET	20-1094A01	1
11	BOLT	27-8807	1
12	ELECTRODE WIRE	32-0988	2
13	BUTT SPLICE	32-0402	2
-	HEAT SHRINK (NOT SHOWN)	33-0219	1



### WIRE INSTALLATION INSTRUCTIONS

1. REMOVE OLD WIRE AS SHOWN IN FIG 1. AND DISCARD. STRIP REMAINING WIRE.
2. TAKE ONE FOOT OF HEAT SHRINK AND CUT INTO TWO 2" PIECES AND TWO 4" PIECES.
3. SLIDE ONE 2" PIECE AND ONE 4" PIECE OF HEAT SHRINK ONTO ONE MAGNETO WIRE.
4. CRIMP THE ELECTRODE WIRE FROM THE KIT ONTO THE STRIPPED MAGNETO WIRE. WRAP ELECTRICAL TAPE AROUND THE WIRE AND BUTT SPLICE
5. HEAT SHRINK THE 2" PIECE OVER THE ELECTRICAL TAPE.
6. HEAT SHRINK THE 4" PIECE OVER THE 2" PIECE.
7. REPEAT STEPS 3 THRU 6 ON SECOND WIRE.

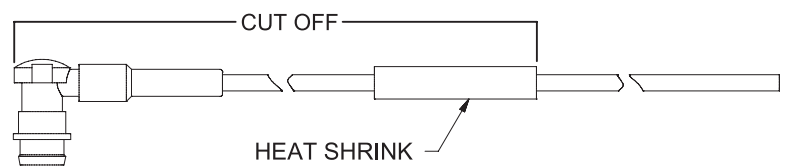


FIG 1.

## ⚠ WARNING

⚠ **WARNING:** This product can expose you to chemicals including Lead, which is known to the State of California to cause cancer and birth defects or other reproductive harm. For more information go to [www.P65Warnings.ca.gov](http://www.P65Warnings.ca.gov)